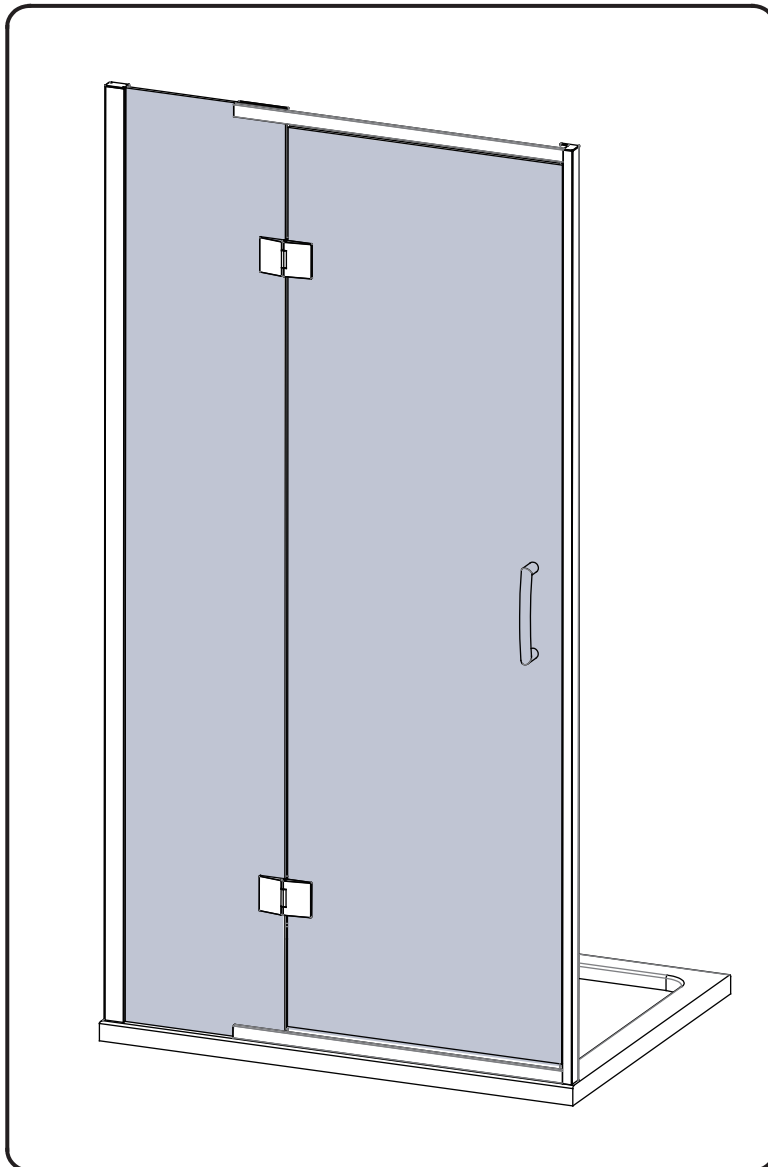


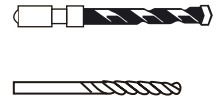
Please read through the complete instruction leaflet before commencing any installation work!



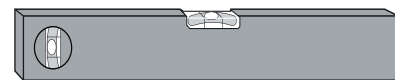
Tools Required



Drill



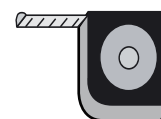
**6mm Masonry Drill
2.75mm HSS Drill**



Spirit level



Sealant Gun



Tape Measure



Pencil



**PH2 TYPE
Screwdriver**

Please note hand tools **NOT** supplied.

IMPORTANT

This product should be installed by a suitably qualified and proficient person. The fitting instructions should be followed carefully to ensure a proper and safe installation. Failure to follow these instructions could result in future injury.

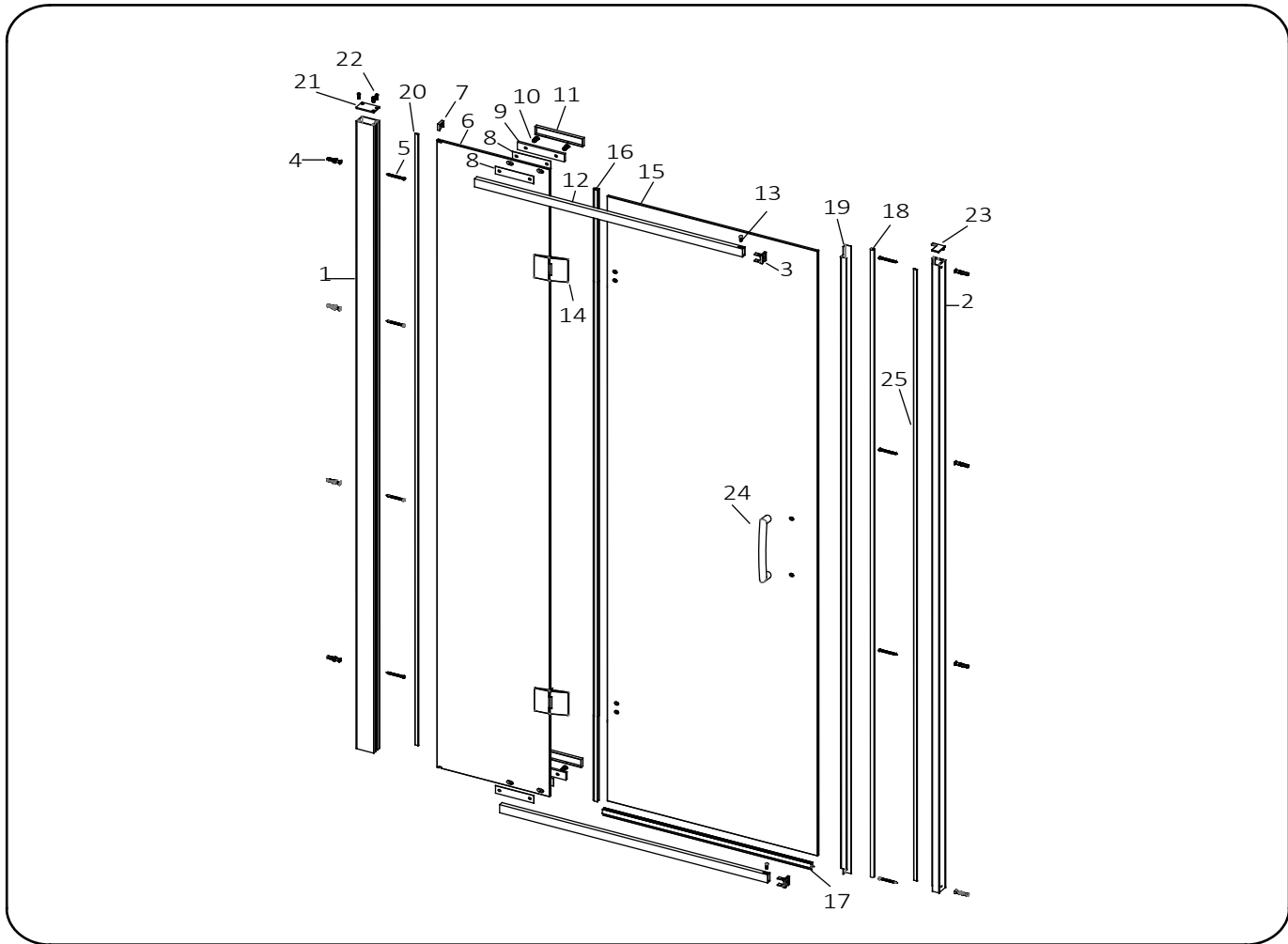
These instructions and list of parts assume that installation is done against solid/tiled walls.

Please check this product for damage prior to starting the installation. No claims can be made after the product has been fitted.

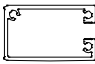
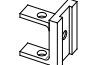



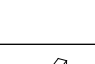


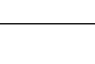




PLEASE NOTE :The minimum and maximum adjustment sizes noted on the product brochures are based on perfectly plumb walls and trays.

USE SAFETY EYE-WEAR WHEN DRILLING

COMPONENTS AND BOX CONTENTS

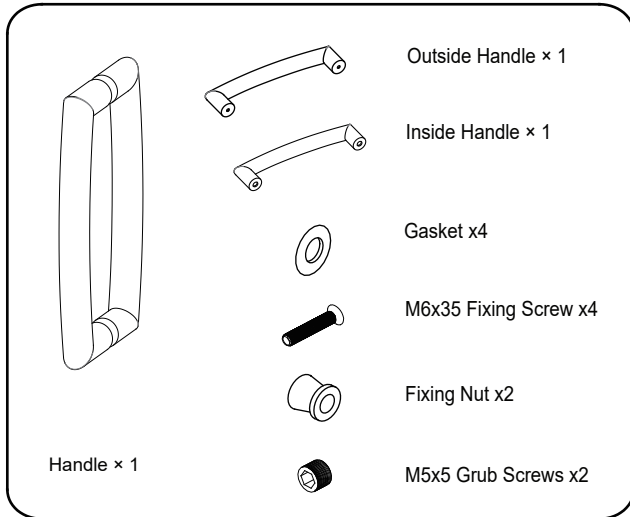


Box Contents

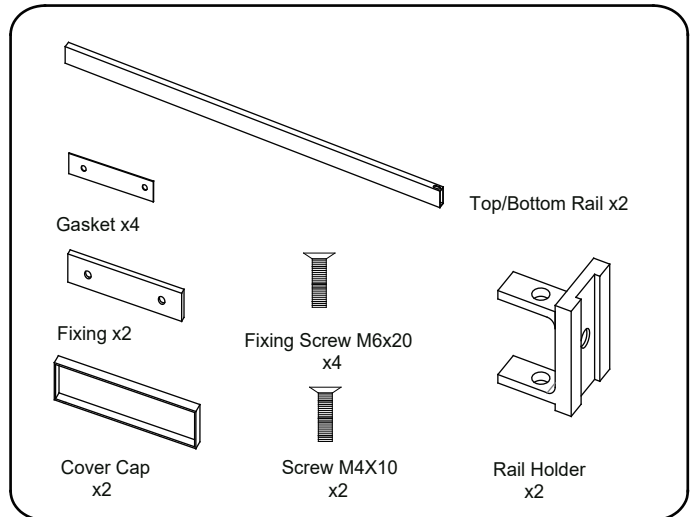
| SN | Description | Image | Q'ty | SN | Description | Image | Q'ty |
|----|-----------------------|-------------------------------------------------------------------------------------|------|----|------------------------------|---------------------------------------------------------------------------------------|------|
| 1 | Wall Profile |  | 1 | 14 | Hinges |  | 2 |
| 2 | Closing Profile |  | 1 | 15 | Door Panel |  | 1 |
| 3 | Rail Holder |  | 2 | 16 | Vertical Bubble Seal |  | 3 |
| 4 | Wall Plug |  | 8 | 17 | Bottom Seal |  | 1 |
| 5 | ST Screws 4x45 |  | 8 | 18 | Magnetic Strip A |  | 1 |
| 6 | Fixed Panel |  | 1 | 19 | Cover Strip Profile |  | 1 |
| 7 | Glass Blocker |  | 1 | 20 | Fixing Seal |  | 1 |
| 8 | Rail Gasket |  | 4 | 21 | Wall Profile Top Cap |  | 1 |
| 9 | Rail Fixing Plate |  | 2 | 22 | Fixing Screw ST3.5x20 |  | 3 |
| 10 | Screws M 6x20 |  | 4 | 23 | Closing Profile Top Cap(L/R) |  | 2 |
| 11 | Rail Fixing Cover Cap |  | 2 | 24 | Handle |  | 1 |
| 12 | Top/Bottom Rail |  | 2 | 25 | Magnetic Strip B |  | 1 |
| 13 | Screw M4x10 |  | 2 | | | | |

FIXING KIT COMPONENTS, SITE CONDITIONS

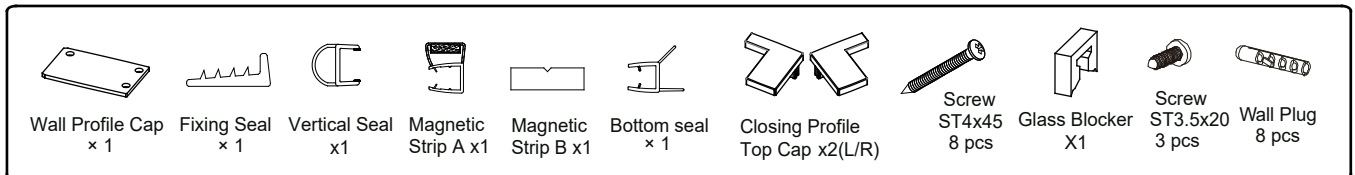
Dilusso 8 Handle



Dilusso 8 Hinge Door Rail Arm



Fixing Kit



IMPORTANT - Missing Components

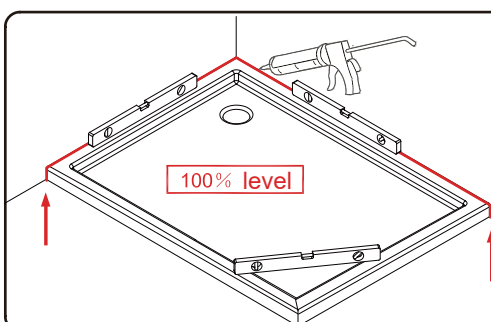
Please check this product for missing components prior to installation.

For spare parts visit www.formulabathrooms.co.uk

IMPORTANT - Installation site

1. Ensure the top surface of the shower tray on which the enclosure will be installed is level in every direction.
2. The tiles or other wall finishing should be effectively sealed at tray edges.
3. Tiles should extend at least to the corner of the tray and a minimum of 1.9 meters from the top of the tray.

PROCEDURE

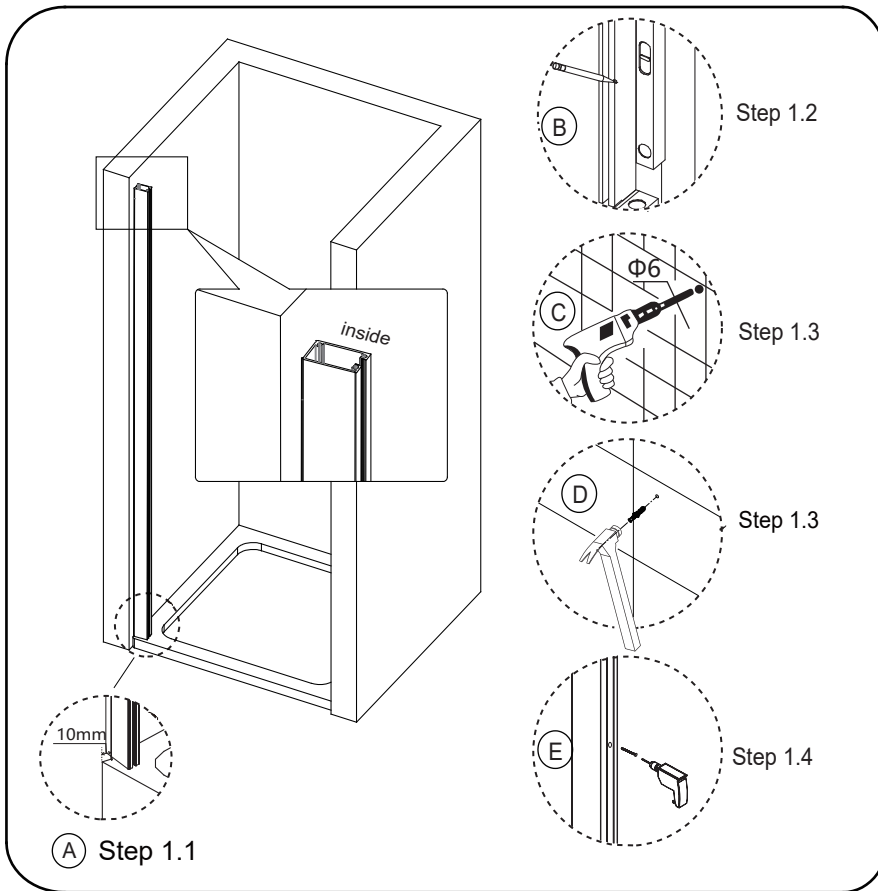


TRAY MUST BE 100% LEVEL IN ALL DIRECTIONS

Ensure the shower tray is level in all directions and is properly sealed to the wall. The wall must be tiled down to the top edge of the tray. **Do not angle out bottom tile.**

TRAY MUST BE SEALED FULLY AROUND WHERE THE TRAY MEETS THE WALL.

INSTALLATION INSTRUCTIONS



- Step 1.1 Place the wall profile (no.1) to the wall (roughly 10mm away from the front of the tray). (Diagram A).
- Step 1.2 Level the profile using a spirit level. Once you are happy that the profile sits on the tray correctly, mark the wall through the 4 pre-drilled screw holes in the wall profile (Diagram B)

NOTE: You may find it easier to mark and drill the wall if you apply masking tape to it first.

- Step 1.3 Remove the wall profiles and drill the marked points using a 6mm masonry drill bit. (Diagram C). Once this is done insert wall plugs (no.4) x4 (Diagram D)

- Step 1.4 Fix the wall profiles (no.1) to wall using the screws 4 x ST4x45 (no.5) (Diagram E)

- Step 2.1 Place the closing profile (no.2) onto wall (roughly 7mm away from the front of the tray). (Diagram F)

- Step 2.2 Level the profile using a spirit level. Once you are happy that the profile sits on the tray correctly, mark the wall through the 4 pre-drilled screw holes in the wall profile (Diagram G)

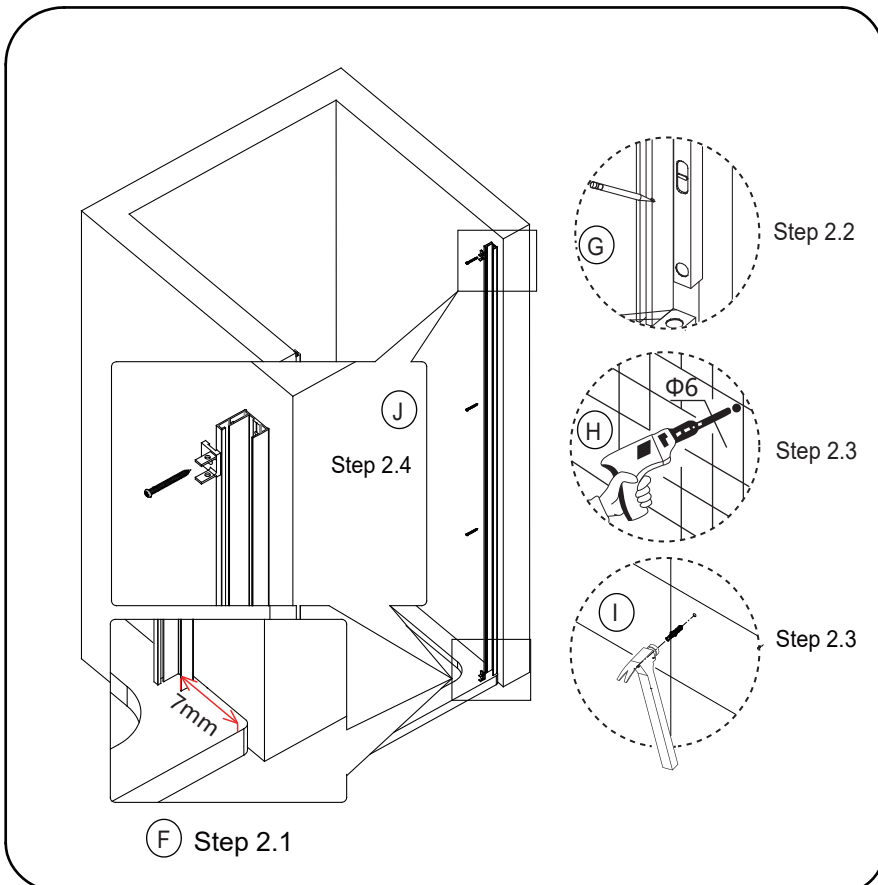
NOTE: You may find it easier to mark and drill the wall if you apply masking tape to it first.

- Step 2.3 Remove the closing profile and drill the marked points using a 6mm masonry drill bit. (Diagram H). Once this is done insert wall plugs (no.4) x4 (Diagram I)

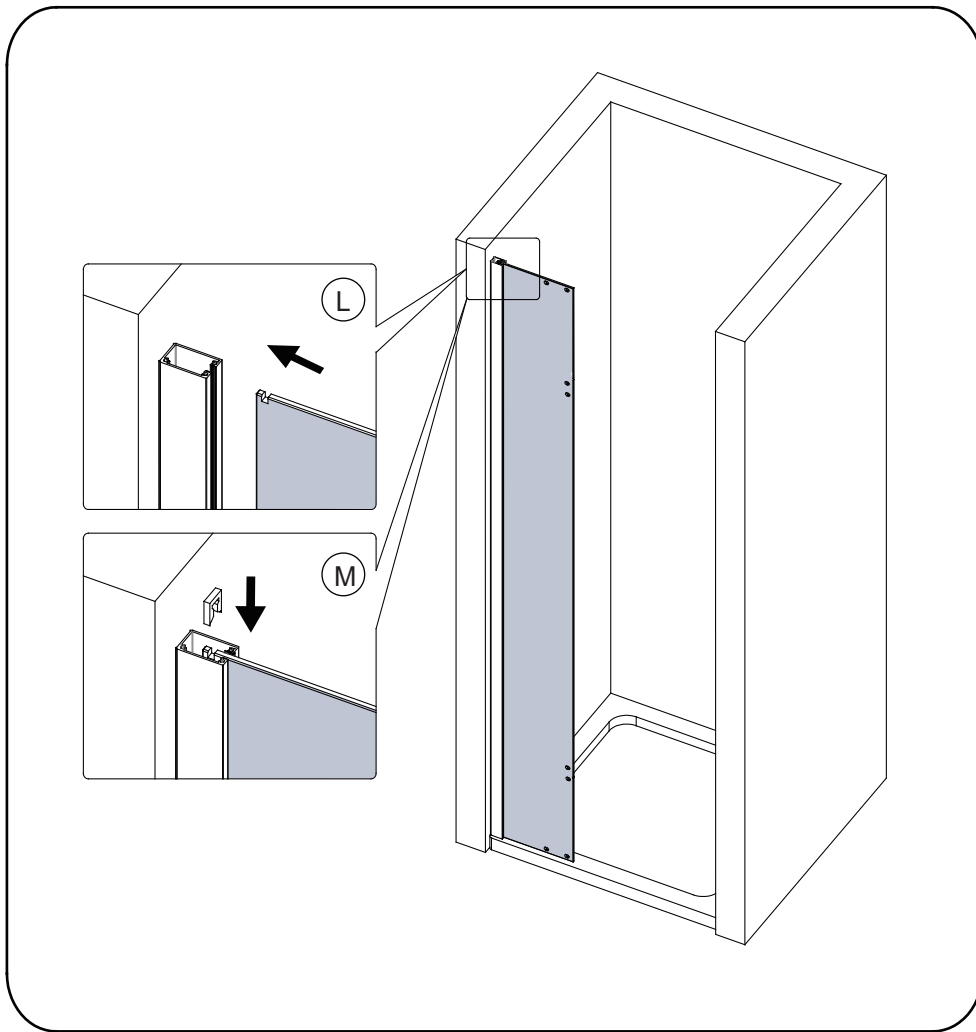
- Step 2.4 Fit the rail holder (no.3) onto the top of the closing profile, line up the hole at the rail holder with the hole on the closing profile and wall. Secure the parts together onto the wall using the screw ST4x45 (No.5).

Follow the above steps to fit the closing profile at the bottom. (Diagram J)

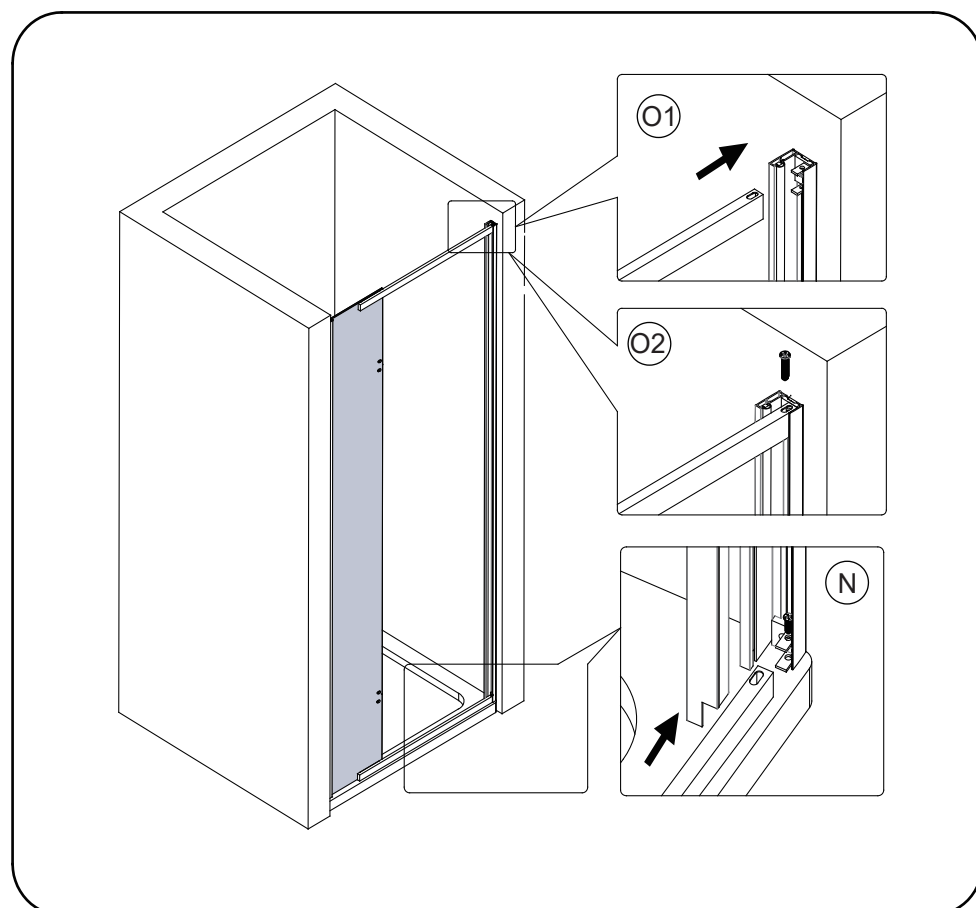
Secure the closing wall profile onto the wall with another 2 pre-drilled holes using ST4x45 screws.



INSTALLATION INSTRUCTIONS



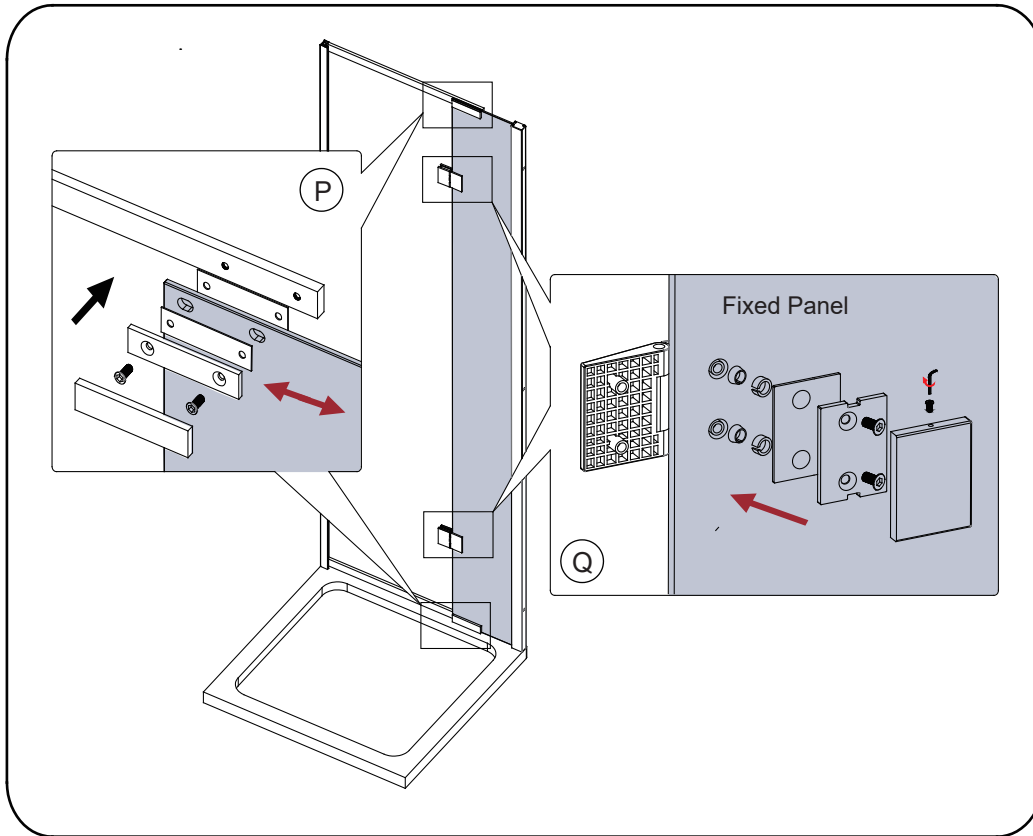
Step 3 Insert the fixed panel (no.6) onto the wall profile, then fit the glass blocker (no.7) onto the groove at the top of the fixed panel. (Diagram L/M).



Step 4 Insert the bottom rail onto the rail holder fixed at the bottom of the closing profile. Secure the parts together using screw M4x10(no.13). Next carefully insert the cover strip onto the closing profile (Diagram N).

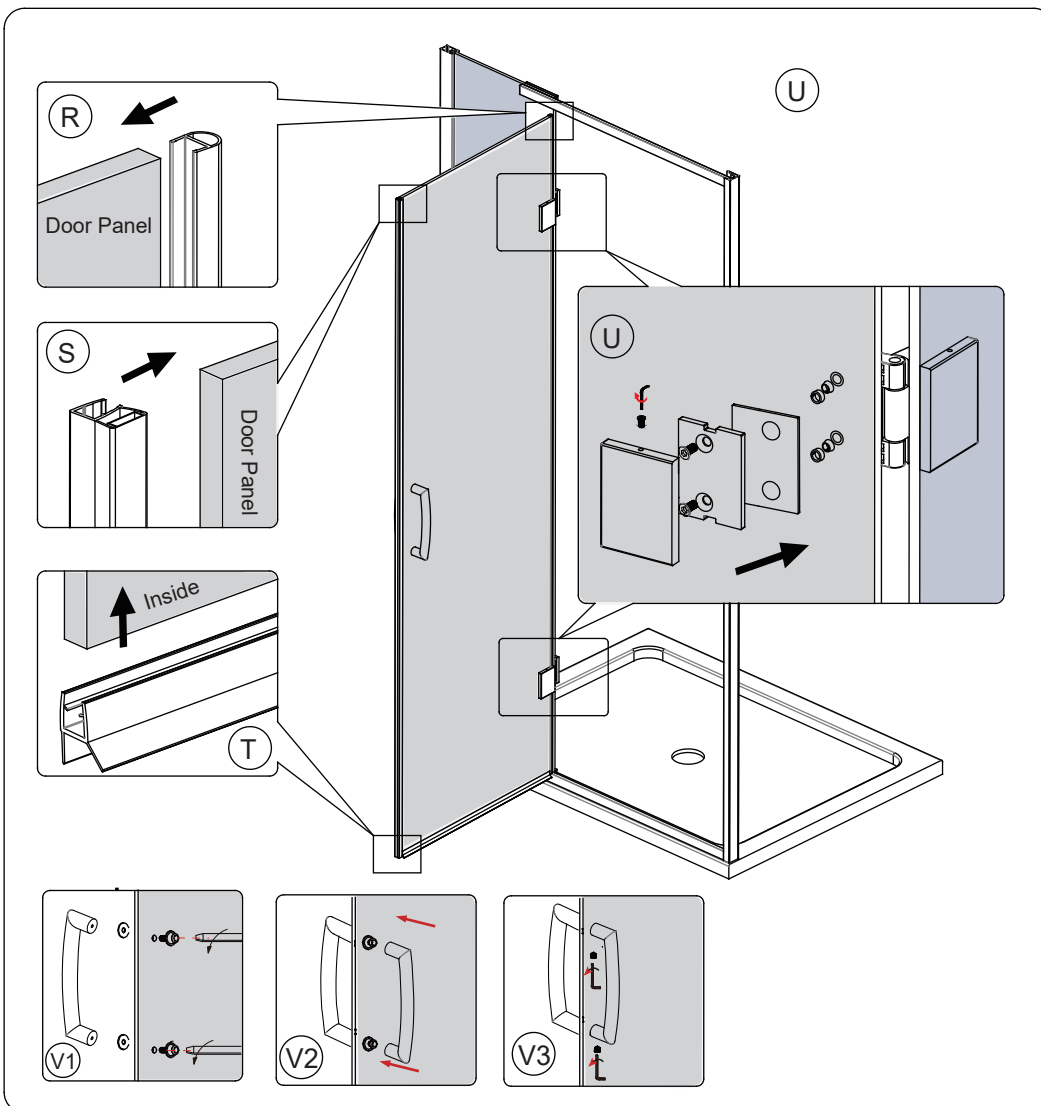
Follow the above steps to fit the top rail. (Diagram O1/O2)

INSTALLATION INSTRUCTIONS



Step 5 Fix the rail onto the fixed panel, line up the screw holes on the fixed panel with the holes on the top and bottom rail by pulling/pushing the fixed panel from the wall profile. Ensure the gaskets (no.8) is placed on both inside and outside of the fixed panel. Secure the pieces together using screws M6x20 (no.10) then fit the cover cap (no.11) on. (Diagram P).

Step 6 Take apart the hinge(no.14) then fit it onto the fixed panel. Ensure the gasket is placed on both inside and outside of the glass panel. (Diagram Q)



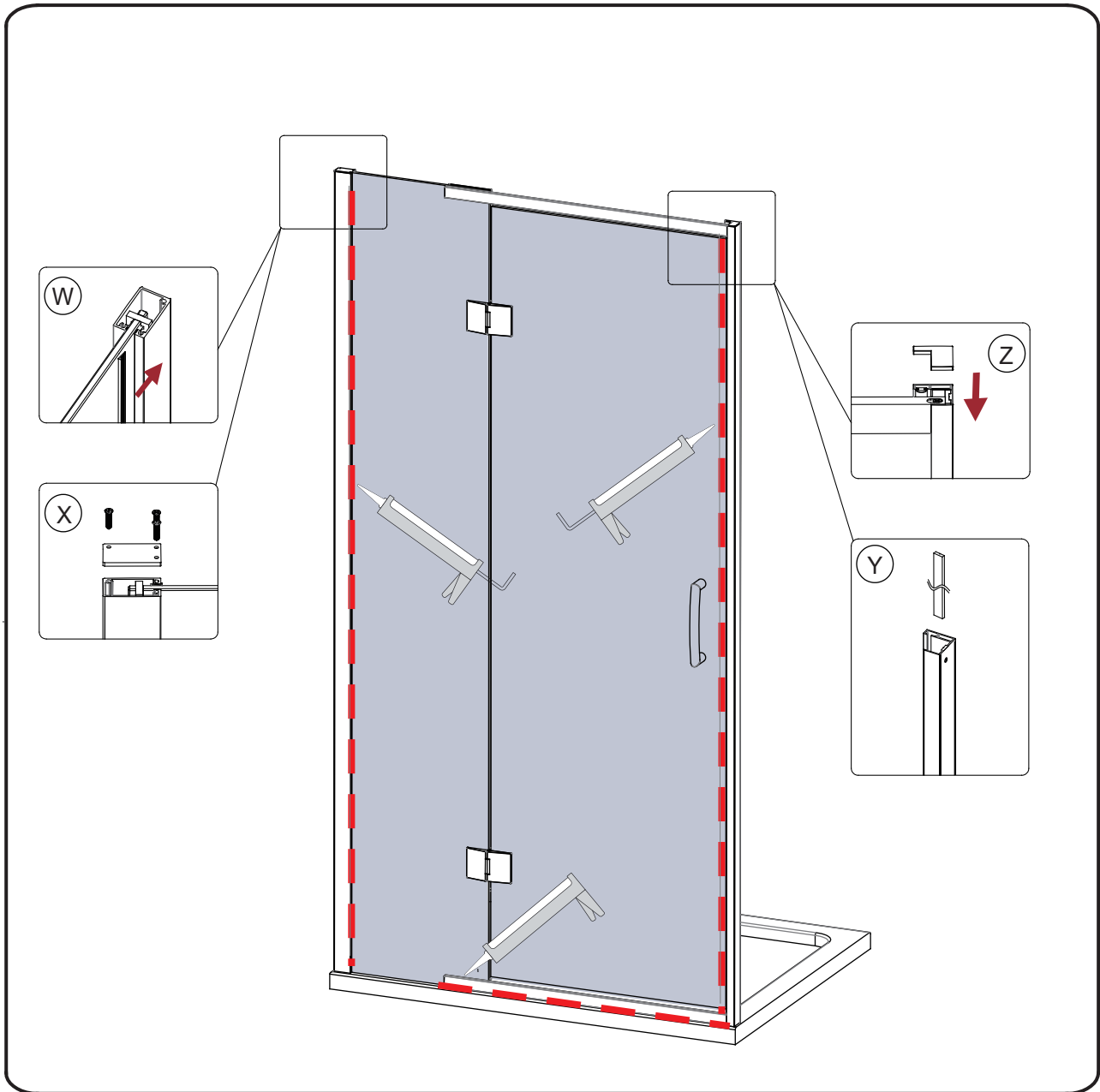
Step 7 Fit the vertical bubble seal (no.16), magnetic strip A(no.18), bottom seal(no.17), onto the door panel(Diagram R/S/T).

Step 8 Carefully lift the door panel (no.15) then fit it onto the hinges,ensure the gasket is placed on both inside and outside of the glass panel. Tighten up the fixing screws. Ensure the door panel is level then fit the metal cap on to cover the screws.(Diagram U).

Note- The bottom seal needs to be cut down to the length required.

Step 9 Fit the handle(no.24) onto the door panel (Diagram V1/V2/V3).

INSTALLATION INSTRUCTIONS



Step 10 Press the fixing seal (no.20) into the wall profile to secure the fixed panel from bottom to top (Diagram W).

Step 11 Fix the wall profile top cap (no.21) onto the wall profile using 3 screws ST3.5x20(no.22) (Diagram X).

Step 12 Insert the magnetic strip (no.125) into the closing profile. (Diagram Y),ensure the side with "V" faces the inside of the shower door.

Step 13 Fit the closing profile top cap (no.23) onto the closing profile(Diagram Z).

24 HRS



DO NOT USE THE ENCLOSURE FOR 24 HOURS AFTER SEALING

Applying Silicone Sealant

Sealing Inside

Seal from the top of the wall profile to the bottom on the **INSIDE** between the wall profile and the wall.

IMPORTANT: Do not apply sealant on inside of the tray.

Sealing Outside

Seal from the top of the wall profile to the bottom between the wall profile and tiles on both sides. Also seal along the bottom where the frame meets the tray. Seal the joints between the bottom profile and any upright profiles.

AFTERCARE

IMPORTANT – Cleaning and Aftercare

You should never use any abrasive cleaning supplies on your glass shower door. Additionally, it is important to wipe down all the glass and metal parts with a soft cloth after every use to remove residual water.

Do not use abrasive cleaning products that contains harsh chemicals, bleach or ammonia etc. These products will damage the glass and will corrode the shower door's frame and metallic parts over time.

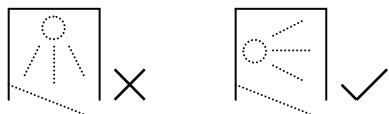
Do not clean any seals with strong cleaning chemicals. Using abrasives cleaners will damage seals and can then cause them to leak. Protect the seals by only cleaning them with a mild soap and warm water after use and to prevent any build-up of chemicals and limescale.

We do highly recommend that moving parts and hinges, are checked regularly to ensure they are clean, correctly positioned and operating smoothly.

Caring for your shower door properly will ensure it lasts a long time, remember to only use warm soapy water and a soft cloth and to wipe away any soap scum etc to avoid any corrosion.

Usage

For reliable, watertight performance from the enclosure your shower head should not be positioned so that the shower sprays directly onto the enclosure door. Failure to comply with this may cause the shower to leak. Outward opening doors may cause water to drip onto the floor, please ensure that the floor covering immediately outside the enclosure will not be affected by water.



This product has been applied with an easy clean glass treatment, a protective barrier which creates a 'non-stick' surface on your glass, helping to resist lime scale build up and water spots.

Formula Bathrooms

Unit 23, Pant Industrial Estate, Dowlais, Merthyr Tydfil, CF48 2SR.

For sales/aftersales queries, please visit our website:

www.formulabathrooms.co.uk

or Sales Tel: 01685 358600, Aftersales: aftersales@formulabathrooms.co.uk

